

MODEL SJ-200 LOW-PROFILE BUTTERFLY VALVE

The **Shurjoint** Model SJ-200 Butterfly Valve is a low profile, grooved-end butterfly valve for oil & gas and or mining services. Working pressure is rated up to 232 psi /1600 kPa and service temperatures up to +180°F/+82°C (Nitrile body liner). The Model SJ-200 features a fully rubber lined body with 316 stainless steel disc. The end-to-end dimensions conform to MSS SP-67. The lever handle is equipped with a tamper resistant locking device.



Not Recommended
for Steam Use.

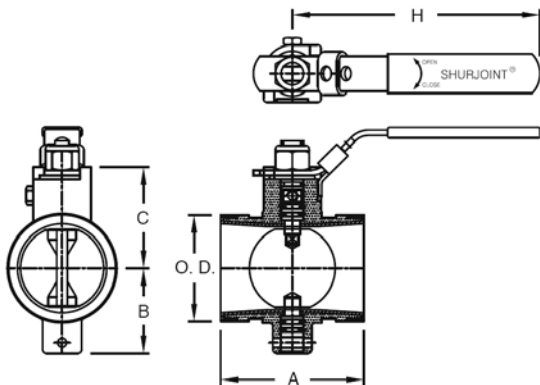
Pressure-Temperature Rating

Nom. Rating	Working Pressure	Shell Test	Max. Service Temperature
CWP	232 psi @100°F 16 Bar @38°C	350 psi 24 Bar	EPDM: 230°F / 110°C Nitrile: 180°F / 82°C

*Working pressure is based on connection with roll- or cut-grooved standard wall carbon steel pipe.

*Seat test: 110% the working pressure.

MODEL SJ-200 LOW-PROFILE BUTTERFLY VALVE



Model SJ-200 Low-Profile Butterfly Valve								
Nominal Size	Pipe O.D.	Dimensions				Approx. Weight		
		A	B	C	H			
mm In	mm in	mm in	mm in	mm in	mm in	Kgs Lbs		
50 2	60.3 2.375	81 3.19	48 1.89	57 2.25	140 5.51	0.9 2.0		
65 2½	73.0 2.875	97 3.82	54 2.13	67 2.65	190 7.48	1.5 3.3		
80 3	88.9 3.500	97 3.82	62 2.44	75 2.94	190 7.48	1.9 4.2		
100 4	114.3 4.500	116 4.57	76 3.00	97 3.82	274 10.79	3.9 8.6		
150 6	168.3 6.625	148 5.83	104 4.09	116 4.57	274 10.79	10.1 22.2		
200 8	219.1 8.625	133 5.25	140 5.50	152 6.00	274 10.79	11.3 27.9		

MODEL SJ-200 MATERIAL SPECIFICATIONS

- **Valve Body:**
Ductile Iron to ASTM A536, Gr. 65-45-12 and or to ASTM A395 Gr. 65-15-45, min tensile strength 65,000psi (448 MPa).
- **Disc:**
Stainless Steel CF8M (316).
- **Valve Body Coating:**
Epoxy paint, black.
- **Valve Body Liner:**
Grade "T" Nitrile (color code: Orange stripe) (Option)
Recommended for petroleum products, vegetable oils, mineral oils and air with oil vapors. Temperature range: -29 °C to +82 °C (-20 °F to +180 °F). Also good for water services under +66 °C (+150 °F).
Do not use for HOT WATER above +66 °C (+150 °F) or HOT DRY AIR above +60 °C (+140 °F)
- **Upper & Lower Shafts:**
Stainless steel Type 416.
- **O-ring:**
NBR
- **Nut:**
Carbon steel nylon lock nut, zinc electro plated
- **Lever Handle:**
Carbon steel, zinc electro plated with plastic grip.

General Notes:

- Pressure ratings listed are CWP (cold water pressure) or maximum working pressure within the service temperature range of the gasket used in the coupling. For additional information contact **Shurjoint**.
- Maximum working pressures and end loads listed are total of internal and external pressures and loads based on Sch. 40 steel pipe with roll grooves to ANSI/AWWA C606-07 specifications. For information on other pipe schedules contact **Shurjoint**.
- **For one time field test only** the maximum joint working pressure may be increased 1½ times the figures shown.
- **Warning:** Piping systems must always be depressurized and drained before attempting disassembly and or removal of any components.
- **Shurjoint** reserves the right to change specifications, designs and or standard equipment without notice and without incurring any obligation.

Job Name:	System No.	Location:
Contractor:	Approved:	Date:
Engineer:	Approved:	Date:

Shurjoint product specifications in U.S. customary units and metric are approximate and are provided for reference only. For precise measurements, please contact **Shurjoint** Technical Service. **Shurjoint** reserves the right to change or modify product design, construction, specifications, or materials without prior notice and without incurring any obligations to make such changes and modifications on **Shurjoint** products previously subsequently sold.